

## Trip Amplifier and Indicating Instrument Type UAS3

**Trip amplifier for external sensors  
(pressure, temperature, level, etc.),  
digital display, 4 switching outputs and  
1 analog output, accuracy class 0,2% f. s.**

### Features

8-digit 14-segment LCD display with bargraph and trend indication, microprocessor-controlled, self monitoring, all parameters are configured by keypad, units selectable, high accuracy, selective keypad lock, quick scanning rate (1 ms)

**Display Range** (free scalable): -9999...+9999

### Applications

OEM-applications, hydraulics and pneumatics, test beds, heavy industry

### Technical Data

Measuring Principle	: Amplifier with 12 Bit A/D-converter
Materials :	
Housing (Electronics)	: Aluminum cast G AL SI 12
Seal (Housing)	: Neoprene
Keypad	: Polyester foil
Operating Elements	: Keypad with easy response pushbuttons
Protection Class	: IP65
Dimensions	: 100 (W) x 135 (H) x 80 (D) mm
Weight	: appr. 1080 g
Analog Inputs	
Current Input	: 4... 20 mA
Voltage Input	: 0...10 V DC
Resistance Input	: 0,5...100 kOhm
Temperature	: PT100 element acc. to IEC751, please see UTS 3
Linearity Error	: $\leq \pm 0,2\%$ f. s. at 25 °C
A/D-Converter:	
Resolution	: 12 bit (4096 steps per measuring span)
Scanning Rate	: 1000/s (for peak value memory)
Operating Display	: 8-digit 14-segment LCD display, height 12 mm, red
Bargraph	: 24-Segment for actual value
Trend Arrows	: last changes
Display Range	: -9999...+9999 (scalable)
Display Rate	: 4/s
Display Unit	: All technical units
Electrical Connection:	
Sensor Connection	: Plug 3-pin according to DIN 43650 incl. electrical plug
Cable Gland	: Plug-in, terminal strip with 14 screws for 1,5 mm <sup>2</sup> , AWG14 slots 1 x PG 13,5 side entry = standard 2 x PG 13,5 top entry = optional



Temperature Influence	: $\leq \pm 0,01\%$ f. s. / 10K
Compensation Range	: -10 °C... +70 °C
Repeatability	: $\leq \pm 0,01\%$ f. s.
Temperature Range	: -10 °C...+ 70 °C (Electronics) -30 °C...+ 80 °C (Storage)
Power Supply	: 18... 30 V DC unregulated, max. 10 % residual ripple, reversed polarity protected
Power Consumption	: appr. 350 mA at $U_b = 24$ V DC (without load)
Analog Output	
Current Output	: 4... 20 mA
Load	: max. $RI = (U_b - 12$ V) / 20 mA $RI = 600$ Ohm at $U_b = 24$ V DC
Load Influence	: 0,3% / 100 Ohm
Scanning Rate	: 1 ms
Voltage Output	: 0...10 V DC
Rating	max. 10 mA, short circuit-proof
Adjustment Range	: 25%...100% f. s.
4 x Relay Output(s) - SPDT-Contacts	
Contact Rating	: max. 120 V DC / 250 V AC max. 120 W / 1250 VA
Cycles	: 1 Mio. at 24 V DC / 2 A
Switching Rate	: max. 20/s
Delay	: 16 ms... 9,9 s adjustable
Operation Time	: 1 ms
Status Display	: S1 ... S4 on LCD display
Options	: Mounting bracket, shock mounts

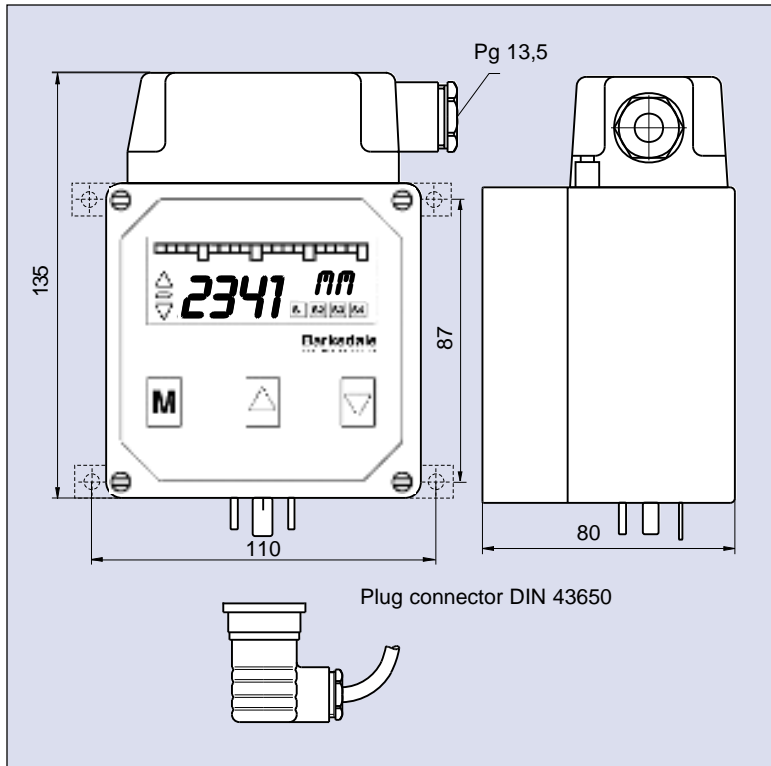
05 / 03 TLI-ENG 03/1

Barksdale Tank Level Indicating Systems

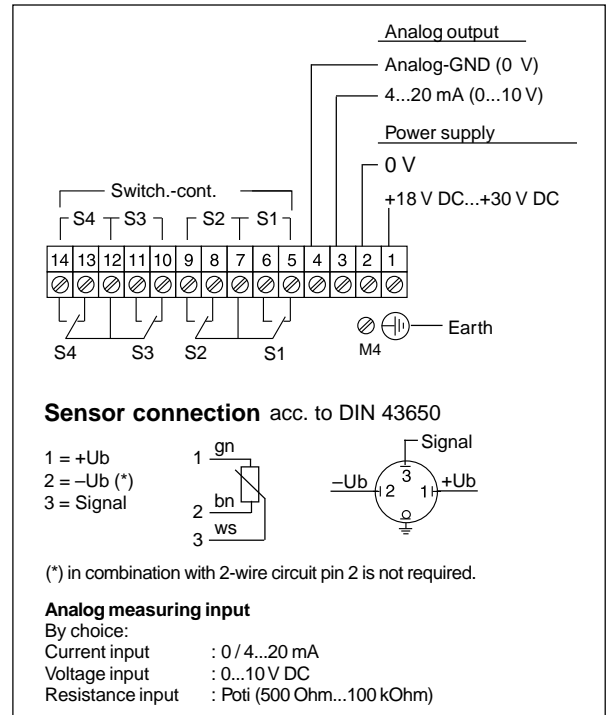
Specifications are subject to changes without notice.

# Trip Amplifier and Indicating Instrument Type UAS3

## Dimensions (in mm)



## Electrical connection



## Order numbers

Electronic trip amplifier with 4 relais, 1 input and digital display		
Analog input	Analog output	Order number
4 ... 20 mA	---	0003-026
4 ... 20 mA	4 ... 20 mA	0003-024
4 ... 20 mA	0 ... 10 V	0003-025
0 ... 10 V	---	0003-032
0 ... 10 V	4 ... 20 mA	0003-030
0 ... 10 V	0 ... 10 V	0003-031
resistance 0,5 ... 100 kOhm	---	0003-029
resistance 0,5 ... 100 kOhm	4 ... 20 mA	0003-027
resistance 0,5 ... 100 kOhm	0 ... 10 V	0003-028

## Accessories

Order number	Description
0099-001	Mounting brackets for wall-mounted housing (1 set = 2 pcs.)