

# Mechanical temperature switches

## Type MT1H

with capillary

### Features

- Single switch with remote sensor
- Explosion proof housing
- Terminal clip and set point adjustment in °C and °F under tamper protected cover
- Protection class: IP65, NEMA 4 / 13
- Optional:
  - Disconnection with manual reset, G (RD)-micro switch
  - Adjustable hysteresis (dead band), S-micro switch
- Approvals: Ex ia, UL, CSA

### Adjustment ranges

-45 °C...+66 °C to +160 °C...+316 °C

### Applications

Temperature monitoring in machine and machine tool industry, shipbuilding, railcars, power plants, antifreeze, heating systems, compressor monitoring



### Technical Data

<b>Housing material:</b>	Die-cast aluminium, anodized
<b>Temperature sensor material:</b>	304 stainless steel (1.4301)
<b>Temperature sensor type:</b>	Capillary, 1.8 m long (6 foot) (optional 3.6 m and 7,5 m) (12 foot and 25 foot), armoured If not equipped with thermowell the sensor may only be used up to 21 bar max.
<b>Electrical values:</b>	All models are equipped with SPDT contacts
<b>Micro switch type:</b>	H, M, GH, GM, G (RD), S
<b>Electrical connection:</b>	1/2" NPT female, internal screw terminal, cable gland in PA, for cable size 6...12 mm is included

<b>Protection class:</b>	IP65 , NEMA 4 / 13
<b>Set point adjustment:</b>	Turn adjustment knob clockwise to increase the actuation point
<b>Standards:</b>	The equipment is in conformity with the following harmonised European standards: EN 60014 1977 + A1 to A4 and EN 500120 1977 + A1
<b>Intrinsic safety:</b>	The switches are also suitable for intrinsically safe applications. Add "Exi" in case of ordering. The following max. values are valid when using these switches: U <sub>max</sub> = 28 V I <sub>max</sub> = 50 mA
<b>Approvals:</b>	Ex ia, UL, CSA
<b>Weight:</b>	1.0 kg approx.

### Adjustment ranges

Code adjustment range	Sensor temperature limits (°C)	Adjustment range (°C)	Hysteresis (°C)* for micro switch			
			H, GH	M, GM	S	G (RD)
						2.8...manual
154	-73 ... +93	-45... +66	0.5... 1.1	1.1... 2.2	2.2... 8.3	
251	-73 ... +149	+10... +121	0.5... 1.1	1.1... 2.2	2.2... 8.3	
351	-73 ... +205	+66... +177	0.5... 1.1	1.1... 2.2	2.2... 8.3	
601	-18 ... +343	+149... +227	1.1... 2.2	2.2... 3.3	3.9... 13.9	
603	-18 ... +343	+160...+316	1.1... 2.2	2.2... 3.3	3.9... 13.9	

\* Dependent on medium

Techniquip Ltd  
The Old Brewery  
Norton Fitzwarren  
Taunton  
TA2 6RN  
Tel 01823-351255  
eMail sales@techniquip.co.uk  
www.techniquip.co.uk

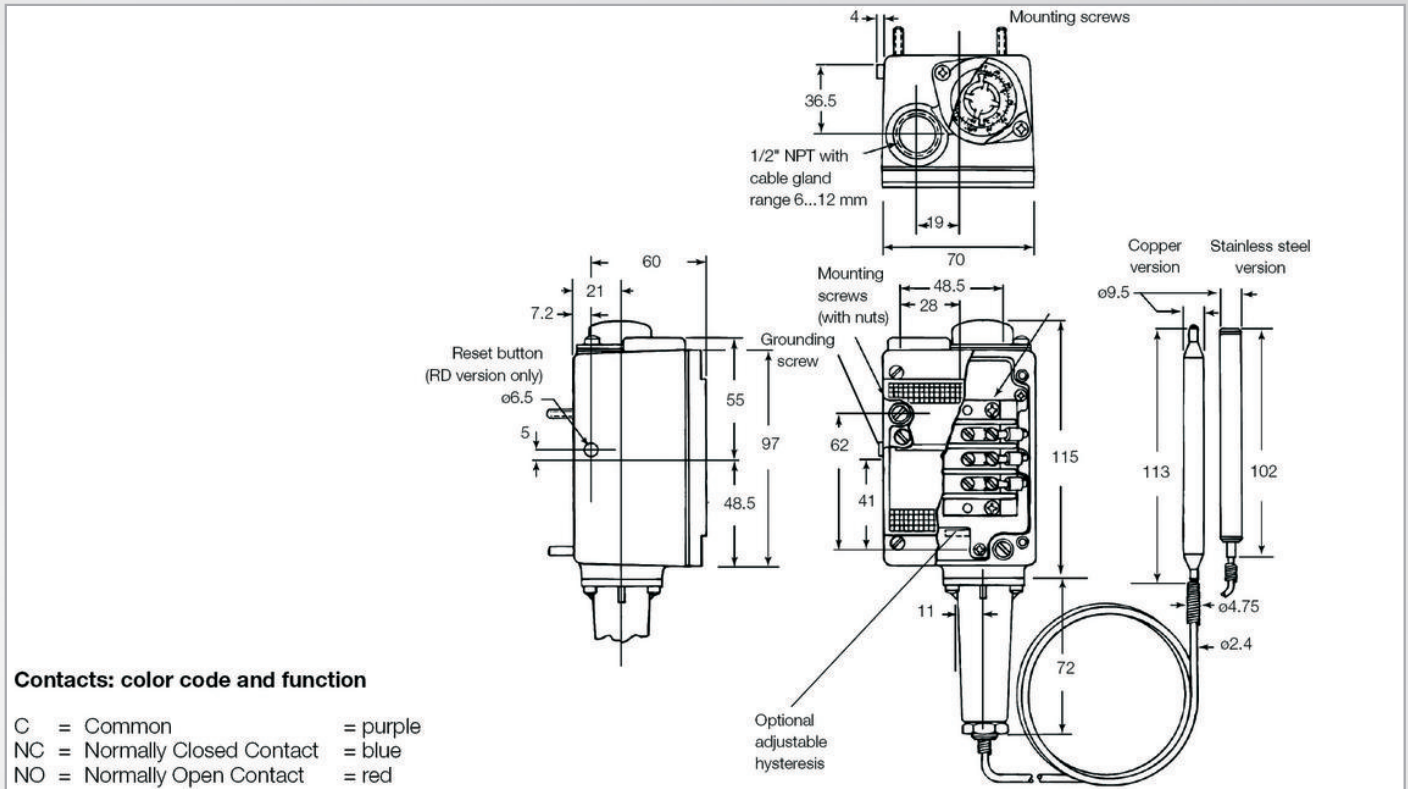


# Temperature

## Mechanical temperature switches

**Type MT1H**

### Dimensions (mm / inch)



### Electrical Ratings

Micro switch	Special features	Volt AC 50/60 Hz	Ind. load A	Res. load A	Volt DC	Ind. load A	Res. load A	Comments
H	Micro switch with silver contacts	125 250 480	10 10 3	10 10 3	6 to 28	0.50	0.5	Small hysteresis; High AC / low DC loads
M	Micro switch with silver contacts	125 250 480	10 10 3	10 10 3	12 24 250	5.00 1.00 0.25	15.0 2.0 0.4	Medium hysteresis; High AC and DC loads
GH	Micro switch with gold contacts for low voltage and low current	125	1	1	24	1.00	1.00	Small hysteresis
GM	Micro switch with gold contacts for low voltage and low current	30	0.1	0.1	30	0.10	0.1	Medium hysteresis
S	Micro switch with silver contacts	480	15	15	125	0.05	0.4	Adjustable hysteresis
G (RD)	Micro switch with silver contacts	480	10	10	125	0.4	0.75	Manual reset

Hermetically sealed micro switch (HMT1H) on request

### Sensor lengths / Options

Sensor lengths		Options	
S-A	1.8 m, armoured, SS (6 foot)	RD	Manual reset
S-12-A	3.6 m, armoured, SS (12 foot)	EXI	for intrinsically safe application, Ex ia
S-25-A	7.5 m, armoured, SS (25 foot)		

### Order Code

Example for order number

Type	Micro switch	Code Adjustment range	Sensor length	Options
MT1H	H	251	S-A	EXI

Your order number

MT1H				
------	--	--	--	--