

## MODEL 104D

### FEATURES

- High and Low Flow Rate Alarms
- 4-20mA Output
- Pulse Output
- Fully Programmable
- Displays Rate, Total and Accumulated Total
- Loop DC Powered
- Panel, Wall and Pipe Mounting
- Watertight to IP67 (Nema 4X)
- CE Compliant



LOOP POWERED

## Rate Totaliser



The 104D is a 4-20mA Loop Powered Rate Totaliser and is designed to operate with Turbine, Positive Displacement and Paddlewheel Flowmeters in applications such as irrigation systems and pipelines, and as a replacement for mechanical registers.



# Field Mounting Rate Totaliser

PROVEN IN THOUSANDS OF FIELD INSTALLATIONS THROUGHOUT THE WORLD.

The 104D is a high accuracy Rate Totaliser designed to operate with digital output flowmeters. Having an IP67 weatherproof case, tactile keyboard and various mounting options, makes it a very versatile unit.

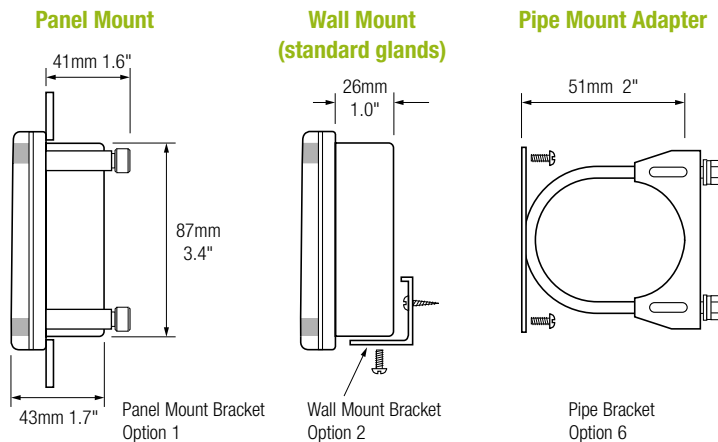
The Rate Totaliser is fully programmable with 10 point linearisation curve for improved accuracy, frequency cut-off and conversion factors (i.e. rate in Litres – totalise in Tons). A non-volatile memory stores all set up parameters and totals. Rate of Flow, Resettable Total and Accumulated Total are all programmable in engineering units.

The 104D Rate Totaliser is housed in a rugged, yet attractive, IP67 (Nema 4X) polycarbonate enclosure which is completely watertight. A wall mounting bracket (no gland holes) is supplied as standard, while panel and pipe mounting brackets are available as options.

## DIMENSIONS

### Overall Sizes

151mm (5.9") width  
98mm (3.9") height  
43mm (1.3") depth



## TERMINAL DESCRIPTIONS

Terminal Inputs & Outputs	
Number	
1	4-20mA (+) Output
2	4-20mA (-) Output
3	Low Alarm (-)
4	Low Alarm (+)
5	High Alarm (-) or Pulse (-)
6	High Alarm (+) or Pulse (+)
7	Signal Input (-)
8	Signal Input (+)

## PRODUCT CODES

Product Code & Mounting Types		
104D	•	Rate Totaliser
Enclosure	0	Wall Mounting (no gland holes)
Mounting	1	Panel Mount Brackets
	2	Wall Mounting (standard glands)
	6	Pipe Mount Adapter

Typical Part Number: 104D .2

## GENERAL SPECIFICATIONS

### Operating

**Temperature Limits:** -20 to +60°C,  
-4 to +140°F

### Enclosure

**Cable Entry:** By cable gland  
**Materials:** Polycarbonate and ABS

### Display

**Total:** 7 digit 10mm (0.4") high LCD (continuously powered). *Note: The Reset Total is resettable from the front panel and the Accumulated Total is displayed when the ACCUM TOT key is pressed*  
**Rate:** 5 digit 8.5mm (0.33") high LCD (continuously powered)

**K-factor Range:** The pulses per unit of measure (eg.pulses/gallon) is programmable in the range 0.000001 to 999,999

**Decimal Points:** Fully programmable for Rate and Total

**Time Base:** Rates can be displayed in units per second, minute, hour or day

**Frequency Range:** 0.01Hz to 10kHz

**Signal Type:** Switch settable for sine wave (15mV P-P minimum), open collector, reed switch or pulse

**Interference:** CE compliance

### 4-20mA

**Resolution and Linearity:** 0.05% of span

**Accuracy:** 0.05% of span @ 25°C, 0.1% (typically) of span full temperature range

**Update Time:** 0.5 second

**Connection:** 2 wire

**Voltage Drop:** 2.5V maximum

### High & Low Alarms

**Type:** 2 x open collector output alarms suitable for driving DC solenoid or external relays. The outputs provide: 1. high, 2. low

**Switching Power:** 200mA, 30Vdc maximum

**Saturation Voltage:** 0.8Vdc across the output in the "ON" state

**Isolation:** All outputs are separately opto-isolated

### Battery

**Type:** 2 x Lithium batteries

**Battery Life:** 2 years



Techniquip Ltd  
The Old Brewery  
Norton Fitzwarren  
Taunton  
TA2 6RN  
Tel 01823-351255  
eMail sales@techniquip.co.uk

