

Electronic Pressure Transducer

BPT1000

for OEM applications

Features

- ▶ Hermetically sealed (IP65, IP67, IP69K)
- ▶ Rugged & durable
- ▶ Compact & light-weight construction
- ▶ High long-term stability & repeatability

Measuring ranges:

- ▶ 0...10 bar to 0...400 bar gauge

Applications

- ▶ Stationary and mobile hydraulics
- ▶ Compressors
- ▶ Wind Energy



Technical Data

Linearity error:	≤±0.5 % f.s.					
Repeatability	≤±0.1 % f.s.					
1-year stability	≤±0.2 % f.s.					
Measuring ranges [bar]:	10	60	100	160	250	400
Proof pressure [bar]:	20	120	200	320	375	600
Power Supply:	8...30 V DC, reversed polarity protection, (SELV, PELV)					
Output:	4-20 mA (2-wire), others on request Load = (U _b - 8V) / 20 mA					
Wetted Parts:	304 Stainless steel (1.4301), FKM O-ring					
Protection class:	IP65, IP67, IP69K (based on electrical connection)*					
Pressure Connection:	G1/4", other on request					
Electrical Connection:	M12 4-plug DIN-EN 175 301-803-A DIN-EN 175 301-803-C					
Temperature Ranges:						
Medium:	-30°C ... +120°C					
Environmental:	-30°C ... +100°C					
Storage:	-30°C ... +100°C					

Temperature influence:	TC zero < ±0.2 % f.s. / 10K TC span < ±0.2 % f.s. / 10K
Compensation range:	-10 °C... +80 °C
Vibration:	IEC 60068-2-64 (RANDOM) 20 PSD
Shock:	25 g min. gemäß EN 60028-2-27
Weight:	appr. 50 grams (sensor without mating connector)
Conformity:	
RoHS	According to 2002/95/EC RoHS Directive
CE	Pressure equipment directive 97/23/EC EMC directive 2004/108/EEC, EN 61326 Emission (Group1, Class B) and Immunity (industrial locations)
UL	Standard(s) for Safety: Electrical Equipment for Measurement, Control and Laboratory Use - UL 61010-1

* Mating connector must be properly installed to preserve enclosure rating

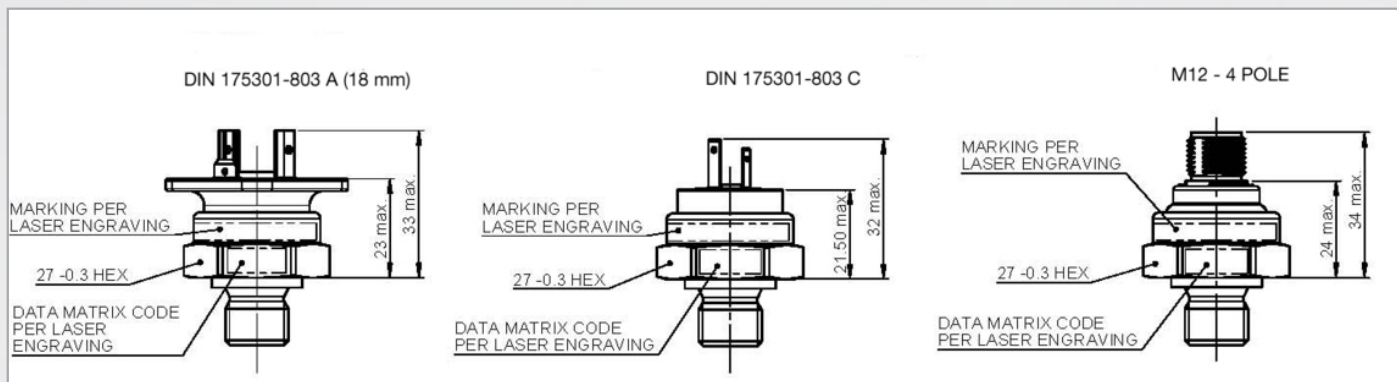
Accessories

Art. No.	Description
907-0357	Socket connector, 4 pol. M12 x 1, angled
907-0344	Socket connector, 4 pol. M12 x 1, straight
908-0361	Socket connector, 5 pol. M12 x 1, incl. 2 m cable
926-1361	Socket connector 3 pol. + PE, DIN EN 175301-803-C, Pg7
907-0534	Socket connector 3 pol. + PE, DIN EN 175301-803-A, Pg9
902-0306	EPDM sealing for G1/4" fitting

Electronic Pressure Transducer

BPT1000

Dimensions (mm / inch)



Wiring code

Electrical Termination	Current Output		
	DIN-C	DIN-A	M12
1	+ Supply	+ Supply	+ Supply
2	- Supply	- Supply	-
3	-	-	- Supply
4	-	-	-

Order Code

BPT1000	Base Model			
BPT1	Output	4...20mA		
	Sealing	F		
		Process Connection	G	
			Electrical Connection	
			A	DIN 175301-803 A
			B	DIN 175301-803 C
			C	M12 - 4 pole
			Pressure Ranges	
			10	0...10 bar
			60	0...60 bar
			100	0...100 bar
			160	0...160 bar
			250	0...250 bar
			400	0...400 bar
				others on request

Example

BPT1 1 F G X XXXX

Special requirements on request.

Techniquip Ltd
 The Old Brewery
 Norton Fitzwarren
 Taunton
 TA2 6RN
 Tel 01823-351255
 eMail sales@techniquip.co.uk
 www.techniquip.co.uk



Techniquip