

Mechanical temperature switches

Type L1X

Local mount type for hazardous areas

Features

- Local mount type single switch with explosion proof housing
- Terminal clip integrated, set point adjustment in °C and °F under tamper protected cover
- Protection class: IP65, NEMA 4 / 7 / 9
- Optional:
 - Adjustable hysteresis (deadband), S-micro switch
 - Option thermowell: W = Brass
 - WS = Stainless steel SS316Ti, 1.4571
- Approvals: Ex d, Ex ia, UL, CSA

Adjustment ranges

-45 °C...+24 °C to +66 °C...+232 °C

Applications

Temperature monitoring and control in industry, shipbuilding, railcars



Technical Data

Housing material:	Die-cast aluminium, painted
Process connection:	Standard 1/2" NPT male, option W/ WS 3/4" NPT male
Temperature sensor material:	Standard: brass / copper, version S: stainless steel (SS304 / 1.4301) for pressure values refer to table in chap. Accessories
Electrical values:	All models are equipped with SPDT contacts
Micro switch type:	H, M, GH, GM, S
Electrical connection:	1/2" NPT female, internal screw terminal, cable gland in PA, for cable size 6...12 mm is included
Protection class:	IP65, NEMA 4 / 7 / 9

Set point adjustment:	Turn adjustment knob clockwise to increase the actuation point
Standards:	The equipment is in conformity with the following harmonised European standards: EN 60014 1977 + A1 to A4 and EN 500120 1977 + A1
Intrinsically safe:	The switches are also suitable for intrinsically safe applications. Add "Exi" in case of ordering. The following max. values are valid when using these switches: Umax = 28 V I _{max} = 50 mA
Approvals:	Ex d, Ex ia, UL, CSA
Weight:	2.0 kg approx.

Adjustment ranges

Code adjustment range	Sensor temperature limits (°C)	Adjustment range (°C)	Hysteresis (°C)* for micro switch		
			H, GH	M, GM	S
201	-73 ... +121	-45... +24	0.5... 1.6	1.6... 3.3	3.3... 11.2
202	-73 ... +121	-9... +60	0.5... 1.6	1.6... 3.3	3.3... 11.2
203	-73 ... +121	+24... +93	0.5... 1.6	1.6... 3.3	3.3... 11.2
204	-73 ... +121	-45... +93	0.5... 1.6	1.6... 3.3	3.3... 11.2
351	-73 ... +205	+38... +107	0.5... 1.6	1.6... 3.3	3.3... 11.2
354	-73 ... +205	+38... +177	0.5... 1.6	1.6... 3.3	3.3... 11.2
454	-18 ... +260	+66... +232	1.6... 3.3	3.3... 5.0	5.5... 16.8

* dependent on medium

Techniquip Ltd
The Old Brewery
Norton Fitzwarren
Taunton
TA2 6RN
Tel 01823-351255



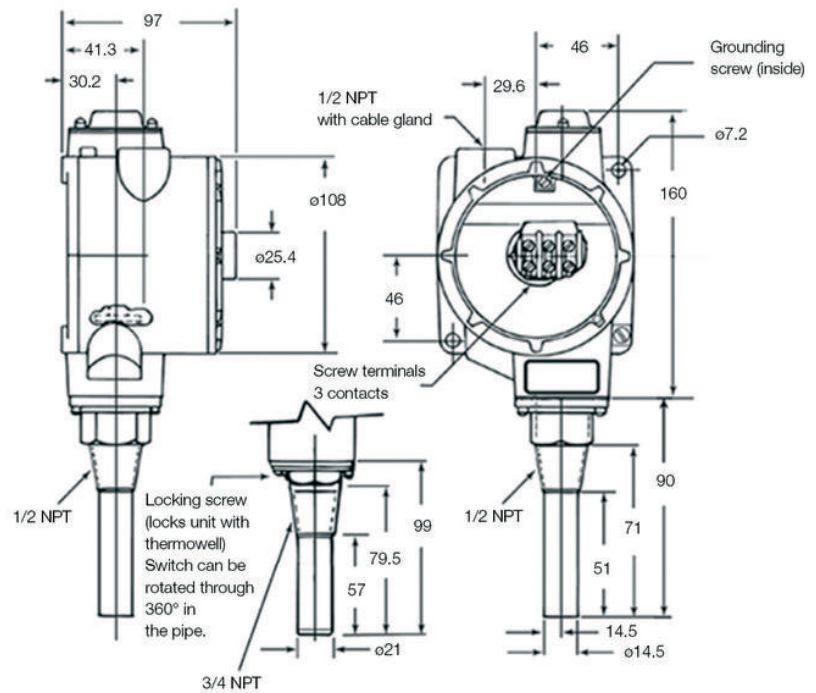
Techniquip

Temperature

Mechanical temperature switches

Type L1X

Dimensions (mm / inch)



Contacts: color code and function

C = Common = purple
 NC = Normally Closed Contact = blue
 NO = Normally Open Contact = red

Vers. without thermowell Vers. with thermowell

Electrical Ratings

Micro switch	Special features	Volt AC 50/60 Hz	Ind. load A	Res. load A	Volt DC	Ind. load A	Res. load A	Comments
H	Micro switch with silver contacts	125 250 480	10 10 3	10 10 3	6 to 28	0.50	0.5	Small hysteresis; High AC / low DC loads
M	Micro switch with silver contacts	125 250 480	10 10 3	10 10 3	12 24 250	5.00 1.00 0.25	15.0 2.0 0.4	Medium hysteresis; High AC and DC loads
GH	Micro switch with gold contacts for low voltage and low current	125	1	1	24	1.00	1.00	Small hysteresis
GM		30	0.1	0.1	30	0.10	0.1	Medium hysteresis
S	Micro switch with silver contacts	480	15	15	125	0.05	0.4	Adjustable hysteresis

Sensor material / Options

Sensor material		Options 1		Options 2	
---	Brass/copper	W	Thermowell of brass	EXI	For intrinsically safe application, Ex ia
S	Stainless steel	WS	Thermowell of SS (1.4571, SS316 TI)	EX	Ex d protection

Order Code

Example for order number

Type	Micro switch	Code Adjustment range	Sensor material *	Option 1	Option 2
L1X	H	202	S	WS	EXI

* : Brass/copper, option: S = Stainless steel

Your order number

L1X	-		-		-	
-----	---	--	---	--	---	--